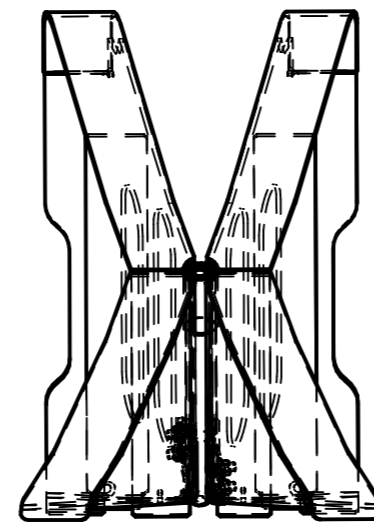
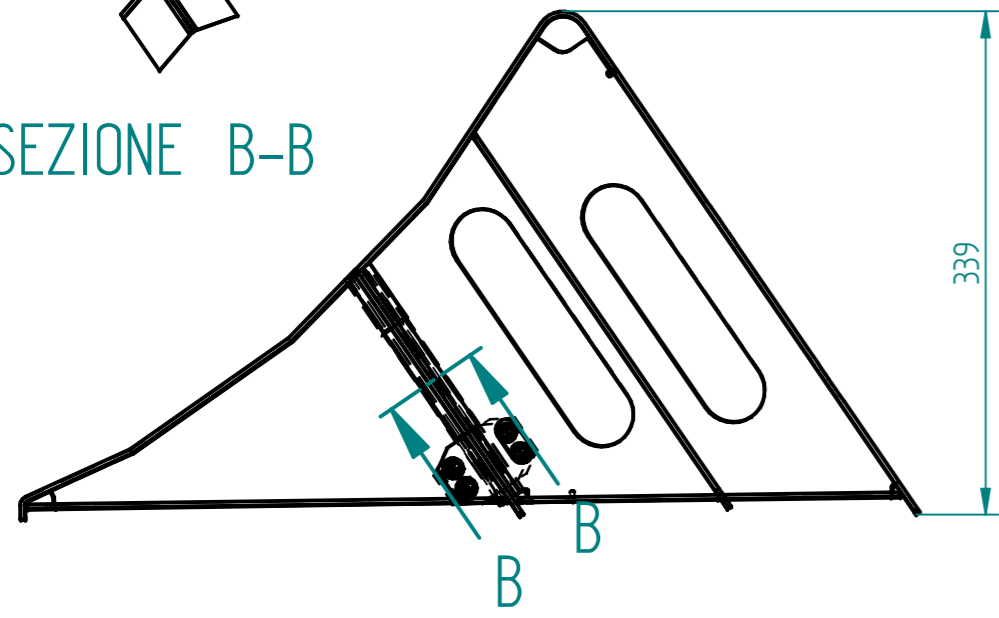
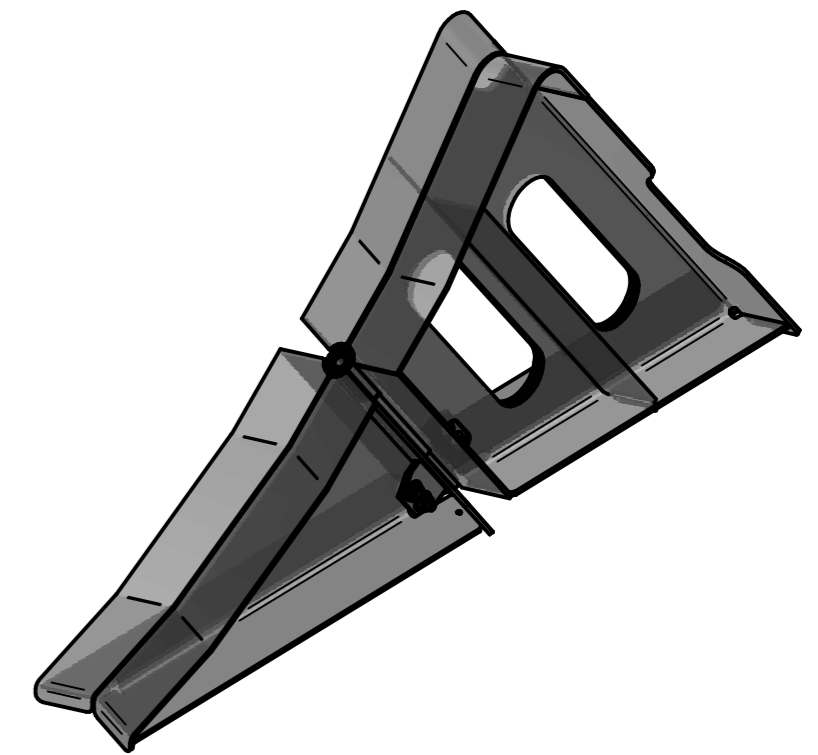
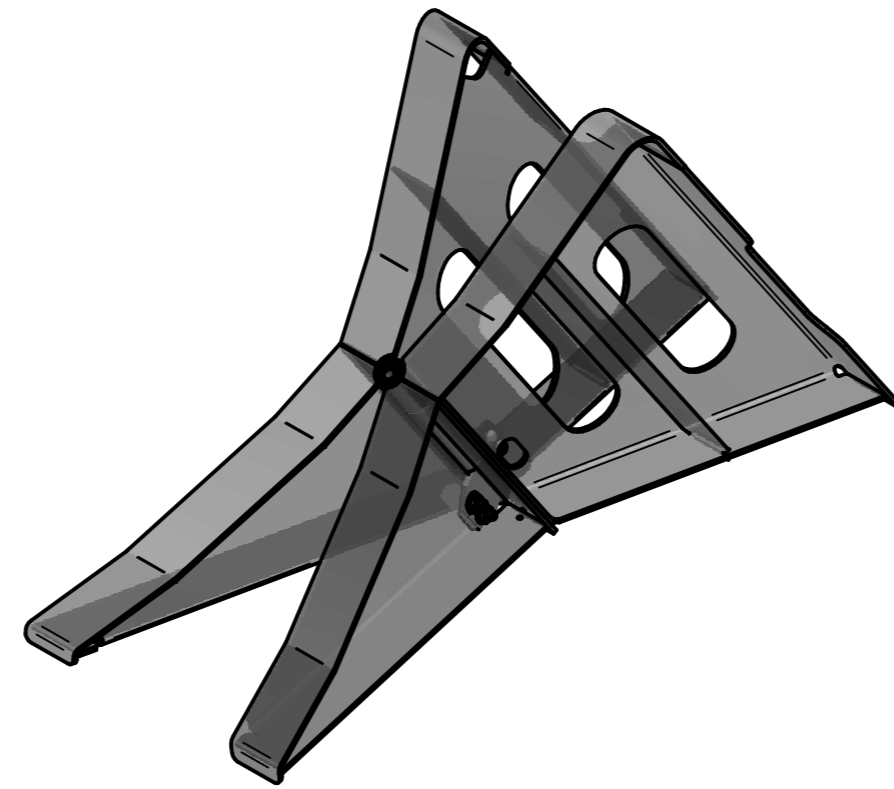
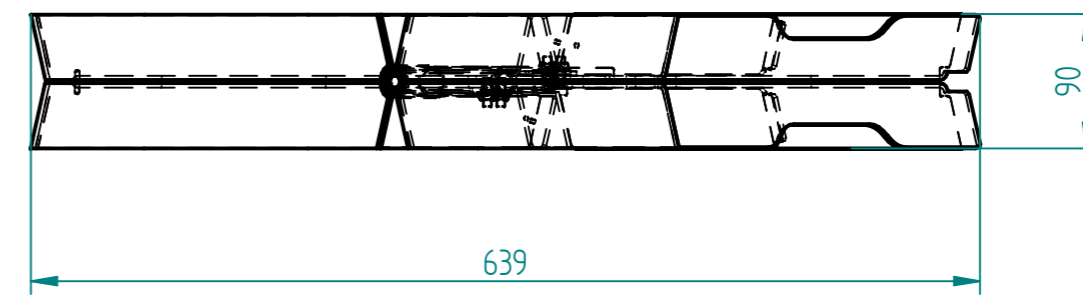
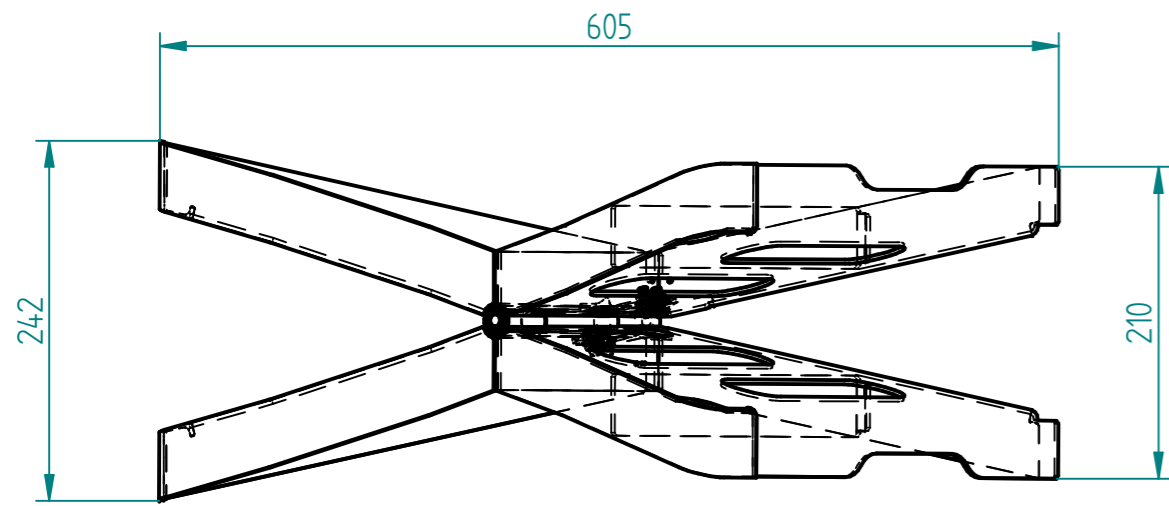
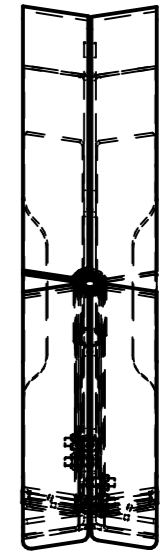
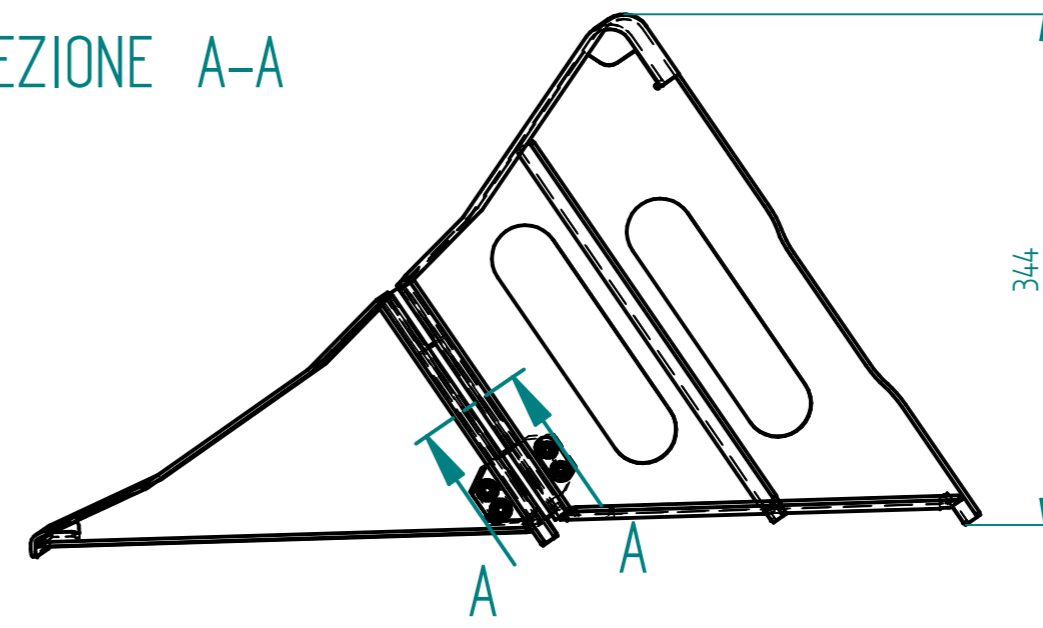


SEZIONE B-B



SEZIONE A-A



Massa - 7.8 Kg

GENERAL TOLERANCES				REVISIONS		MATERIAL		TREATMENT		DESIGNER	
LINEAR				n°1/3	DATE REV.					SIGNATURE	
up to 6	± 0.1	over 6 up to 30	± 0.2	n°1/2	DATE REV.					SIGNATURE	
over 315 up to 1000	± 0.8	over 1000 up to 2000	± 1.2	n°1/1	DATE REV.					SIGNATURE	
ANGULAR											
fino a 6	± 10'	oltre 6 fino a 30	± 20'			S355		CATAFORESI		Sala P. APPROVED Redaelli	
				SCALE		DATE					
				1:5		28/06/2022					
				SHEET		DRAWING CODE					
				A2		70023130					



Tel. 039.9907632
E-mail: info@recofi.it
www.recofi.it