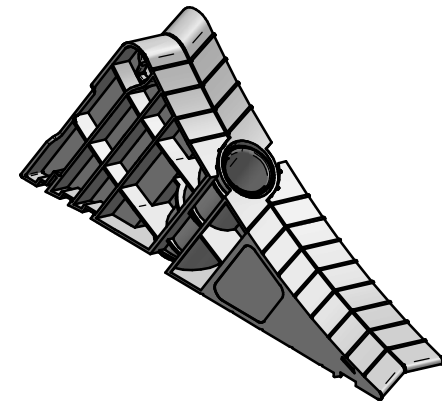
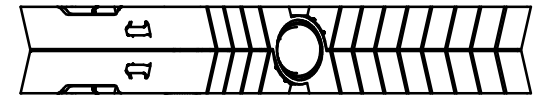
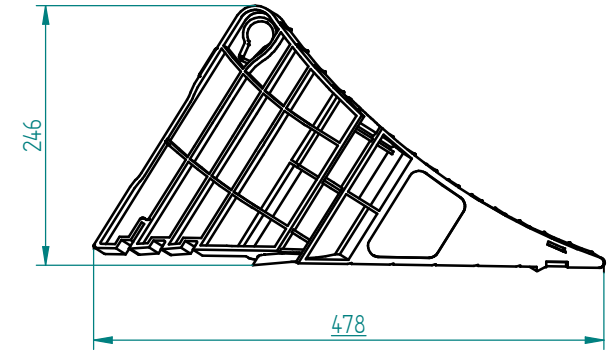
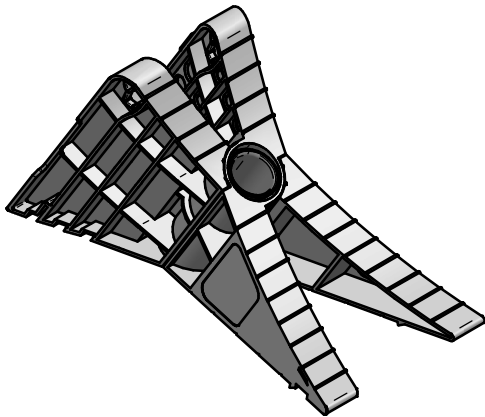
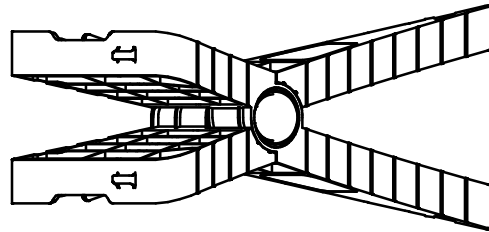
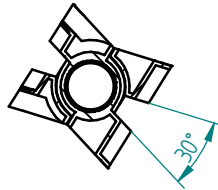
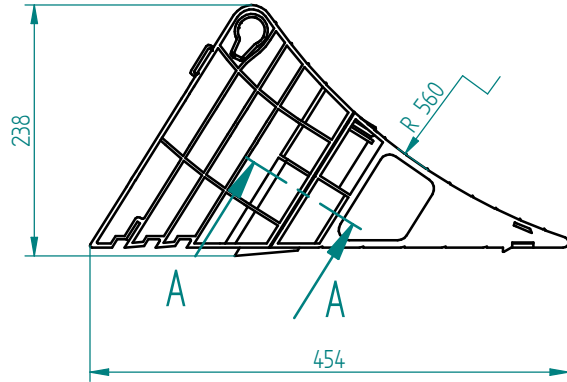
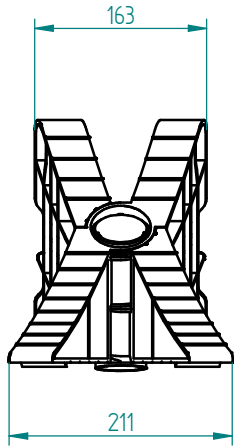




SEZIONE A-A



Massa - 1.14Kg

GENERAL TOLERANCES				REVISIONS		MATERIAL		TREATMENT		DESIGNER	
LINEAR				n°3	DATE REV.					SIGNATURE	
up to 6	± 0.1	over 6	± 0.2	up to 30	± 0.3	up to 120	± 0.5	DESCRIPTION		SIGNATURE	
up to 315	± 0.8	over 1000	± 1.2	up to 2000	± 2.0	up to 4000	± 3.0	DESCRIPTION		SIGNATURE	
ANGULAR				n°2	DATE REV.					SIGNATURE	
fino a 6	± 10'	oltre 6	± 20'	oltre 30	± 30'	fino a 315	± 1°	DESCRIPTION		SIGNATURE	
				SCALE		DATE		DESIGNER		APPROVED	
Tel. 039.9907632 E-mail: info@recostr.it www.recostr.it				15		25/01/2023		Sala P.		Redaelli	
SHEET				A3				WHEEL CHOCK X-BLOCK		DESCRIPTION	
70023120				G53		DRAWING CODE		REVISION		--	