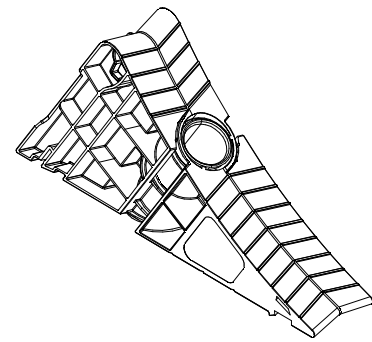
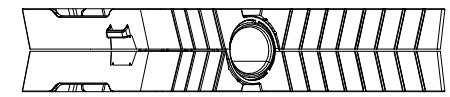
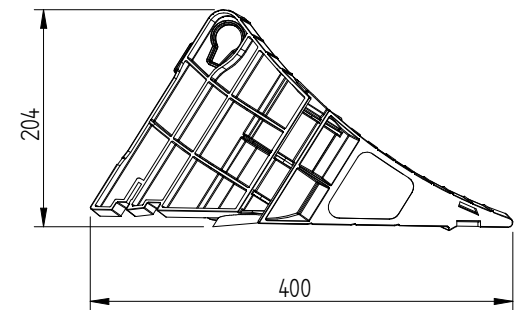
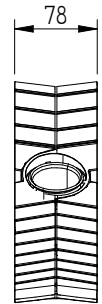
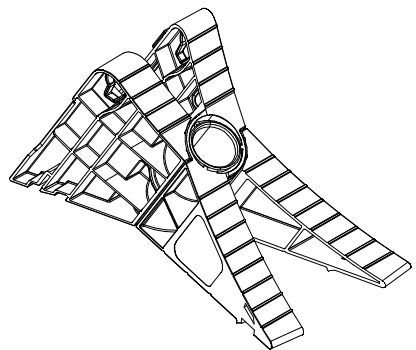
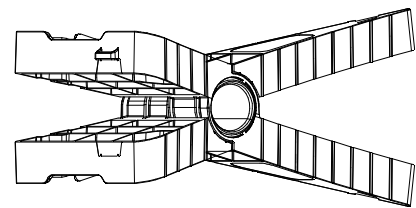
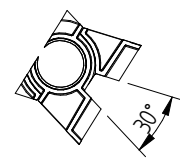
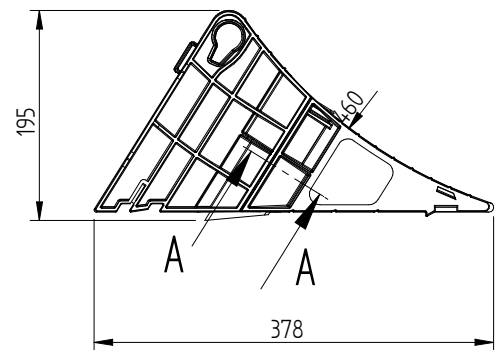
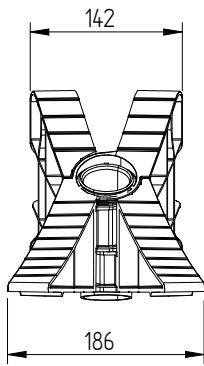


SEZIONE A-A



Massa - 1.01 Kg

GENERAL TOLERANCES			
LINEAR			
up to 6	± 01	over 6 up to 30	± 02
over 30	± 03	over 120	± 05
over 315	± 08	over 1000	± 12
up to 1000	± 08	up to 2000	± 20
		over 4000	± 30
ANGULAR			
fino a 6	± 10'	oltre 6 fino a 30	± 20'
		oltre 30 fino a 120	± 30'
		fino a 315	± 1"
 Tel: 0399907632 E-mail: info@reco.it www.reco.it	SCALE	DATE	
		1:5	30/01/2023
	SHEET	A3	
REVISIONS	DATE REV	DESCRIPTION	SIGNATURE
r13			
r12			
r11			
MATERIAL		TREATMENT	DESIGNER
			Sala P.
			APPROVED
			Redaelli
DESCRIPTION			REVISION
WHEEL CHOCK X-BLOCK G46			
DRAWING CODE			
70023122 / 70023123			--