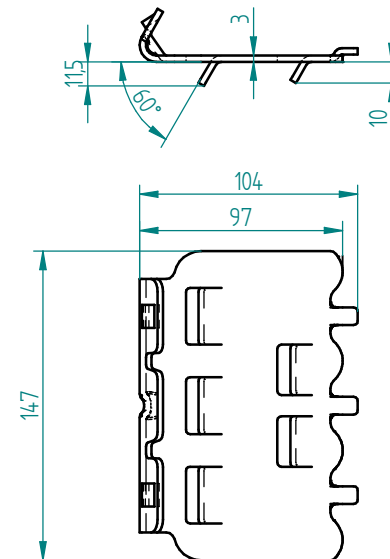
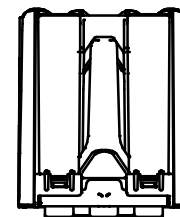
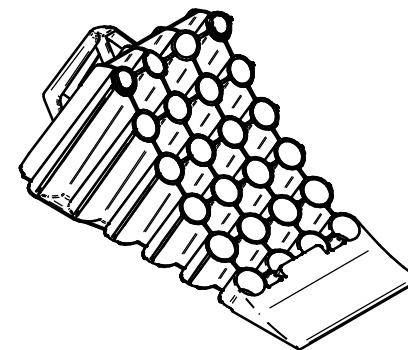


DETTAGLIO A



scala 1:2,5



GENERAL TOLERANCES			
LINEAR			
up to 6	± 0.1	over 6 up to 30	± 0.2
over 30	± 0.3	over 120 up to 315	± 0.5
over 315	± 0.8	over 1000 up to 2000	± 1.2
over 2000	± 2.0	over 4000	± 3.0
ANGULAR			
fino a 6	± 10'	oltre 6 fino a 30	± 20'
oltre 30 fino a 120	± 30'	oltre 120 fino a 315	± 1°

REVISIONS	DATE REV.	DESCRIPTION	SIGNATURE
n°3			
n°2			
n°1			

MATERIAL	TREATMENT	DESIGNER
HOPE GIALLO-FERRO ZINCATO	UV proof	Sala P.
		APPROVED
		Redaelli

SCALE		DATE	
15		29/08/2023	
SHEET		DRAWING CODE	
A3		70 023115	

DESCRIPTION		REVISION
CALZATOIA TERMOPLASTICA D46 AUTOMOTIVE		---

