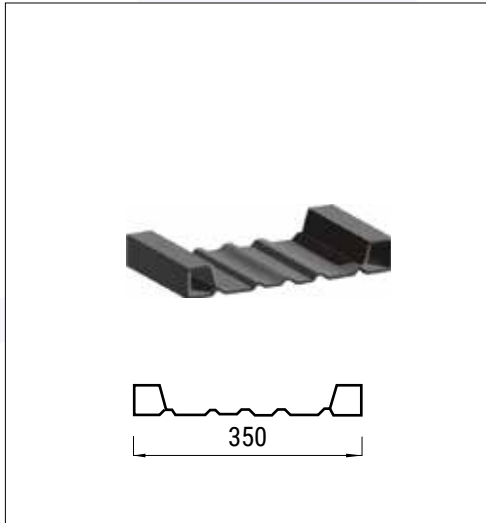
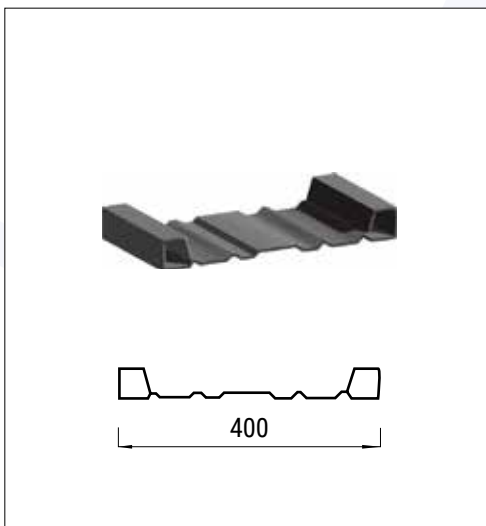


Profilati in ferro per sponde - H = 350 sp. 15/10 sponde da 45 mm
Steel profile for sideboards - H = 350 sp. 15/10 sideboards 45 mm



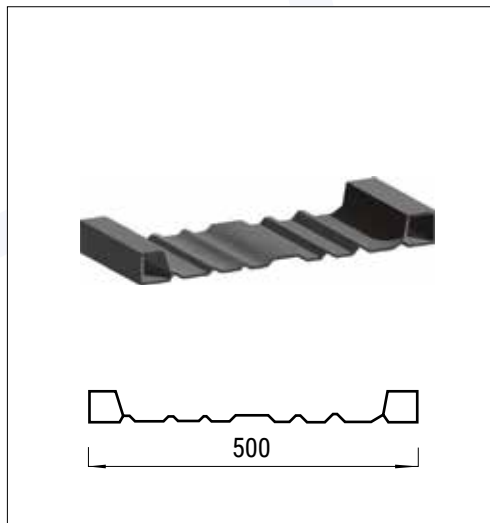
Codice / Code	Descrizione / Description	L (mm)	W (mm)	H (mm)	Kg / m
66 0711013	Sponda in ferro - lamiera decapata Steel sideboard - pickled steel plate	5000	15/10	350	7,500
66 0711009	Sponda in ferro - lamiera decapata Steel sideboard - pickled steel plate	6000	15/10	350	7,500
66 0715001	Testata Headboard	45	15/10	350	0,600
66 0715010	Traversino centrale Central cross bar	45	15/10	350	0,400
66 0719001	Testata sagomata Shaped headboard	45	15/10	350	0,800
66 0719010	Traversino centrale sagomata Central shaped cross bar	45	15/10	350	0,600

Profilati in ferro per sponde - H = 400 sp. 15/10 sponde da 45 mm
Steel profile for sideboards - H = 400 sp. 15/10 sideboards 45mm



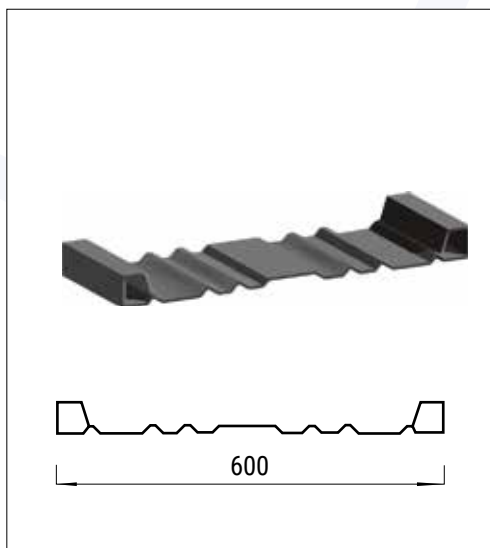
Codice / Code	Descrizione / Description	L (mm)	W (mm)	H (mm)	Kg / m
66 0711011	Sponda in ferro - lamiera decapata Steel sideboard - pickled steel plate	5000	15/10	400	10,500
66 0711007	Sponda in ferro - lamiera decapata Steel sideboard - pickled steel plate	6000	15/10	400	10,500
66 0715002	Testata Headboard	45	15/10	400	0,700
66 0715011	Traversino centrale Central cross bar	45	15/10	400	0,500
66 0719002	Testata sagomata Shaped headboard	45	15/10	400	0,900
66 0719011	Traversino centrale sagomata Central shaped cross bar	45	15/10	400	0,700

Profilati in ferro per sponde - H = 500 sp. 20/10 sponde da 45 mm
Steel profile for sideboards - H = 500 sp. 20/10 sideboards 45mm



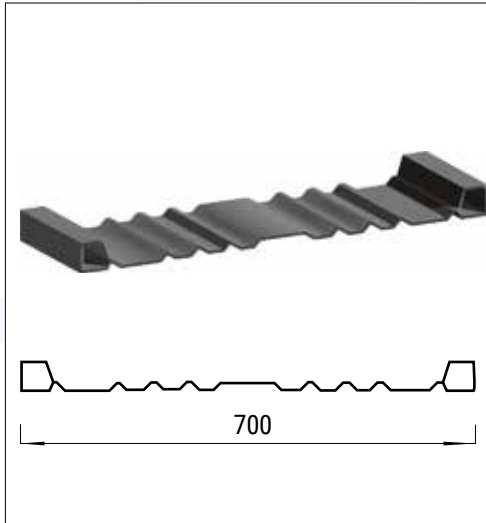
Codice / Code	Descrizione / Description	L (mm)	W (mm)	H (mm)	Kg / m
66 0711010	Sponda in ferro - lamiera decapata Steel sideboard - pickled steel plate	5000	20/10	500	12,300
66 0711008	Sponda in ferro - lamiera decapata Steel sideboard - pickled steel plate	6000	20/10	500	12,300
66 0715003	Testata Headboard	55	20/10	500	1,100
66 0715012	Traversino centrale Central cross bar	55	20/10	500	0,800
66 0719014	Testata sagomata Shaped headboard	55	20/10	500	1,200
66 0719012	Traversino centrale sagomata Central shaped cross bar	55	20/10	500	1,000

Profilati in ferro per sponde - H = 600 sponde da 45mm
Steel profile for sideboards - H = 600 sideboards 45mm



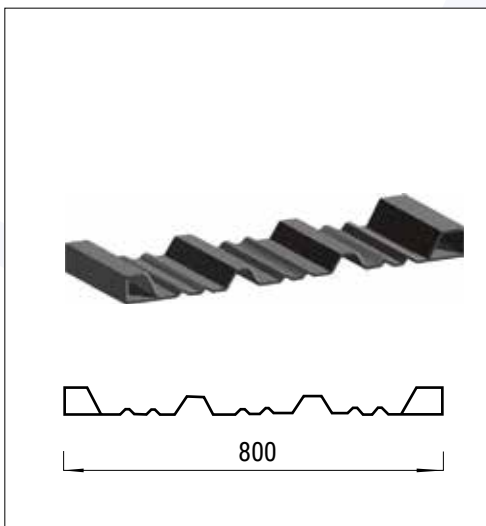
Codice / Code	Descrizione / Description	L (mm)	W (mm)	H (mm)	Kg / m
66 0711014	Sponda in ferro \ Steel sideboard	6000	15/10	600	10,500
66 0712003	Sponda in ferro - lamiera decapata Steel sideboard - pickled steel plate	5000	20/10	600	13,700
66 0712002	Sponda in ferro - lamiera decapata Steel sideboard - pickled steel plate	6000	20/10	600	13,700
66 0715004	Testata \ Headboard	45	20/10	600	1,800
66 0715013	Traversino centrale \ Central cross bar	45	20/10	600	1,300
66 0719015	Testata sagomata \ Shaped headboard	45	20/10	600	1,900
66 0719013	Traversino centrale sagomata Central shaped cross bar	45	20/10	600	1,300

Profilati in ferro per sponde – H=700 sp. 25/10 sponde da 45mm
Steel profile for sideboards - H = 700 sp. 25/10 sideboards 45 mm



Codice / Code	Descrizione / Description	L (mm)	W (mm)	H (mm)	Kg / m
660711015	Sponda in ferro – lamiera decapata	5000	25/10	700	18,6
660711016	Sponda in ferro – lamiera decapata	6000	25/10	700	18,6
660715019	Testata	45	25/10	700	1,90
660715018	Traversino centrale	45	25/10	700	1,75

Profilati in ferro per sponde – H=800 sp. 20/10 sponde da 55mm
Steel profile for sideboards - H = 800 sp. 20/10 sideboards 55 mm



Codice / Code	Descrizione / Description	L (mm)	W (mm)	H (mm)	Kg / m
660711017	Sponda in ferro – lamiera decapata	5000	20/10	800	18,9
660711018	Sponda in ferro – lamiera decapata	6000	25/10	800	18,9
660715021	Testata sagomata	45	20/10	800	3,00
660715020	Traversino sagomato centrale	45	20/10	800	2